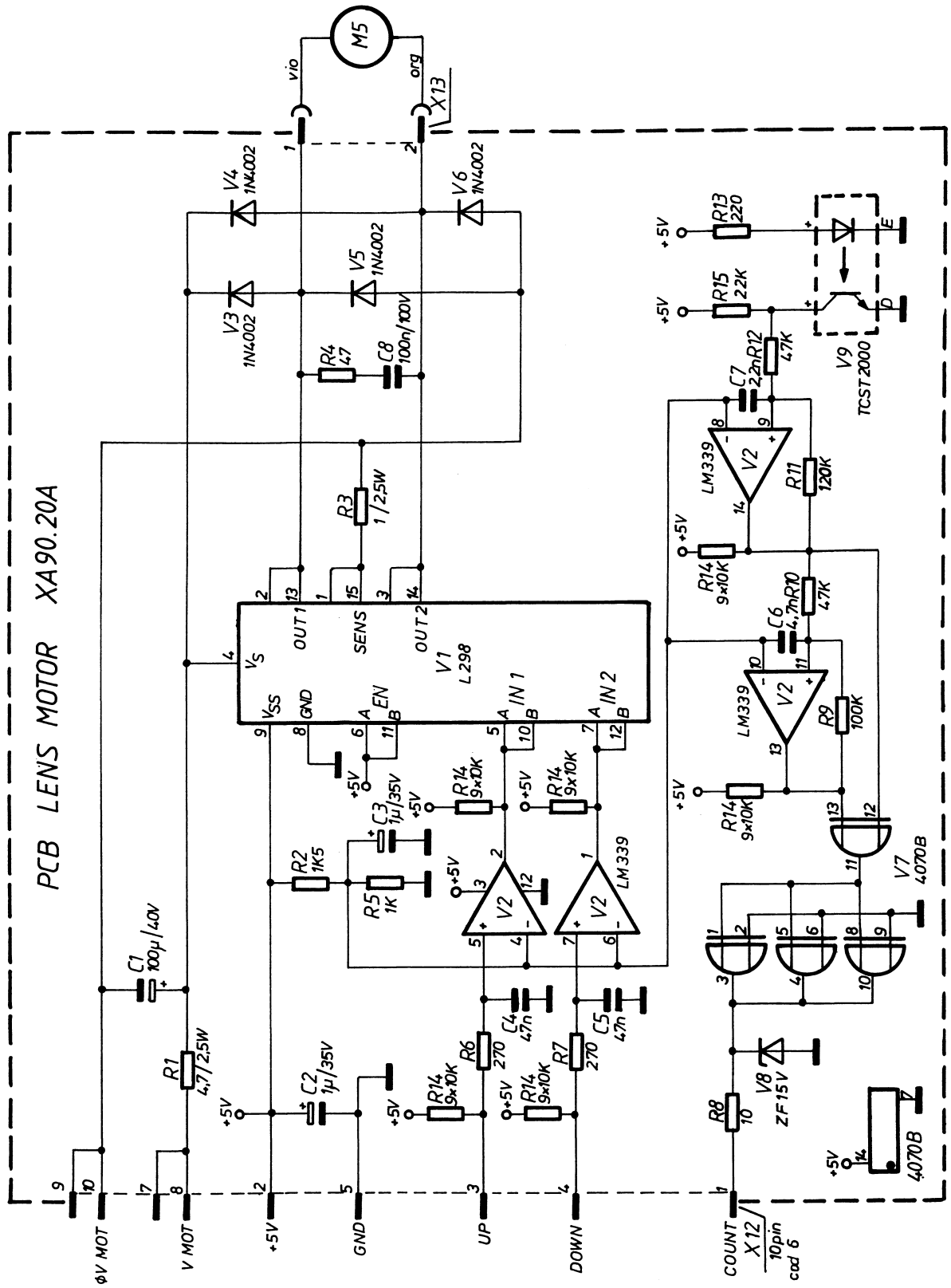


PCB LENS MOTOR XA90.20A



Ausgabe	Anderung	Tag	Name

Freimaßtol.	
Tag	Name
Bearb. 23.6.86	L.U.
Gepr.	
Norm.	
Durst A.G. Bozen - Bolzano	

The property of Durst Phototechnik AG. Copying of this document, and giving it to others and the use or communication of the contents thereof, are forbidden without express authority. Offenders are liable to the payment of damages. All rights are reserved in the event of the grant of a patent or the registration of a utility model or design.	
circuit diagram LENS MOTOR	
XA90.201.0E	
Maßstab.	AC 800 ELITE